

POLYVALVE™ OPTIONS AND ACCESSORIES

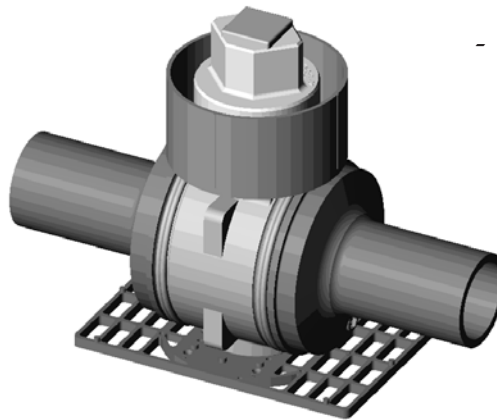
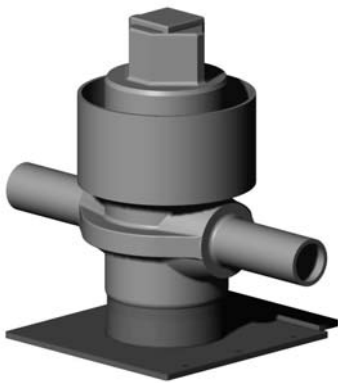
Telescopic Pits



- Length 500-800 mm.
- Diameters 90 mm (base) / 110 mm (top)
or 110 mm (base) / 125 (top).
- PVC pipe with a plastic cap.
- Can be equipped with a position indicator.

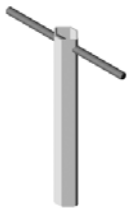


Base plates



- Different types of base plates available.

Operation Wrench



- PVC Material.
- Sizes 200, 500 and 1300mm.
- Maximum operating torque 150 N.m.

POLYVALVE™

OPTIONS AND ACCESSORIES

Customer Interface Options

Due to the great variety of requirements from our customers, and to the various technical specifications, dimensions of the Polyvalves wrench adaptor can be customised.

Our standard adaptor is a 50x50mm square. Any size can be studied upon request, and the following dimensions are commonly manufactured :

- 50 x 50
- 10 x 30
- 22 x 22
- 27 x 32
- 35 x 23,5
- 50 x 20
- 80 x 20
- Other dimensions contact us.

Stem Extensions



1- Adjustable Extension

- Extruded PVC Profile.
- Unique length (1m) to be cut to size.
- Max. torque 150 Nm.

2- Telescopic Extension

- Sizes 0.5 to 1.0 m and 1.2 to 2 m.
- PE shell.
- Metal extension.